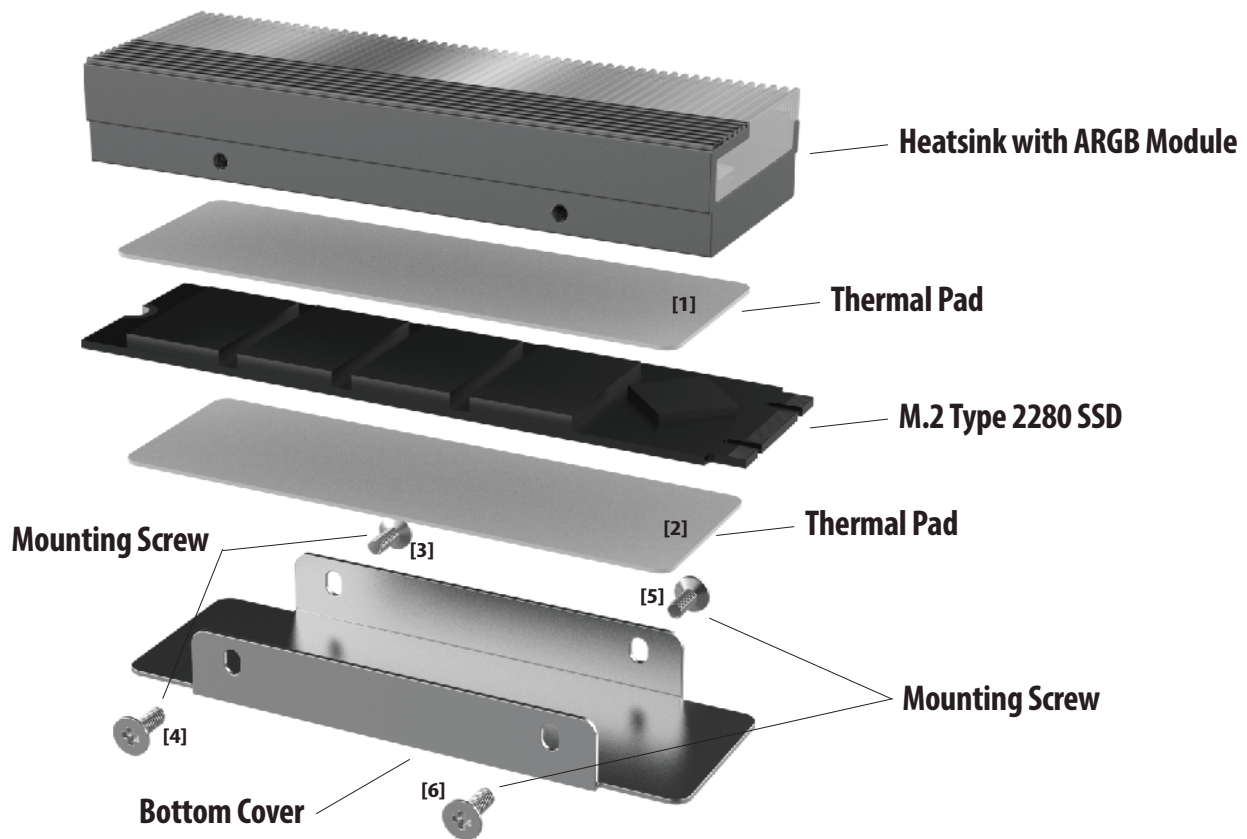


## **A** Installation Parts



## **B** Installation Instructions

1. Peel off the protective film and apply the Thermal Pad [1] onto your M.2 Type 2280 SSD.
  2. Peel off the protective film and apply the Thermal Pad [2] onto the inner surface of the Bottom Cover.
  3. Attach the Heatsink with ARGB Module on top of your M.2 Type 2280 SSD, align position of the screw holes to the mounting holes of the Bottom Cover, insert the assembly into the Bottom Cover.
  4. Insert the Mounting Screws [3][4][5][6] into the screw holes, make sure all the screws are passed through the mounting holes of the Bottom Cover, fasten the screws with a screwdriver.
  5. Attach the 3pin ARGB Connector of the ARGB Cable to the 3pin 5V ARGB Header on your motherboard.
- Installation complete!

### **Limits of Warranty:**

Warranty coverage does not include the following:

- A faulty product that leads to harm or damage to other products
- Damage of product as a result of other product components
- Incorrect method of operation or use of product not for intended use
- Any form of alteration to original product
- Inability to install the product as a result of incompatibility with other components.

The Specifications are subject to change without notice.

Please consult our website for further information:

**[www.gelidsolutions.com](http://www.gelidsolutions.com)**

### **Disclaimer:**

In no event shall GELID Solutions its directors or employees be liable for any indirect damages, incidental or consequential damages arising from any defect or error in this manual or product.