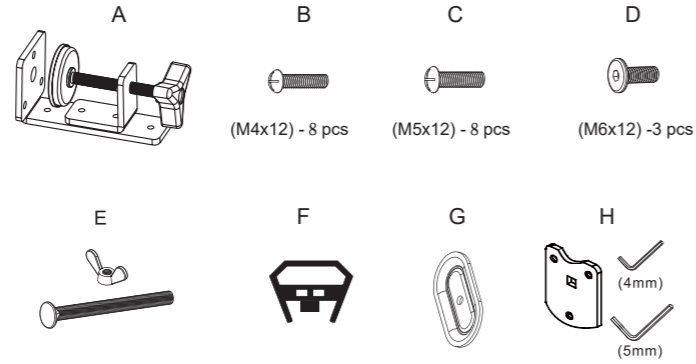
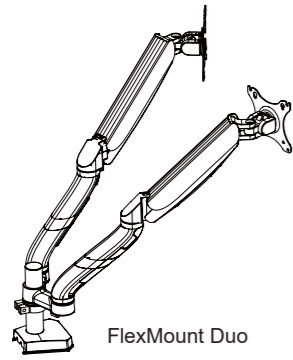
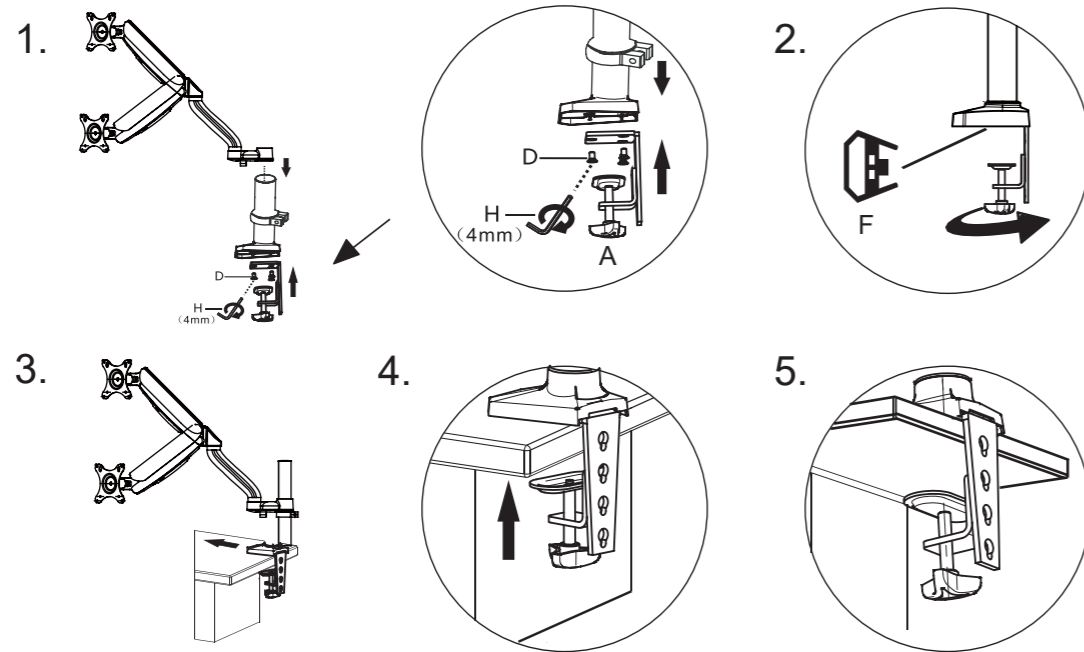


FlexMount Duo Installation Instructions

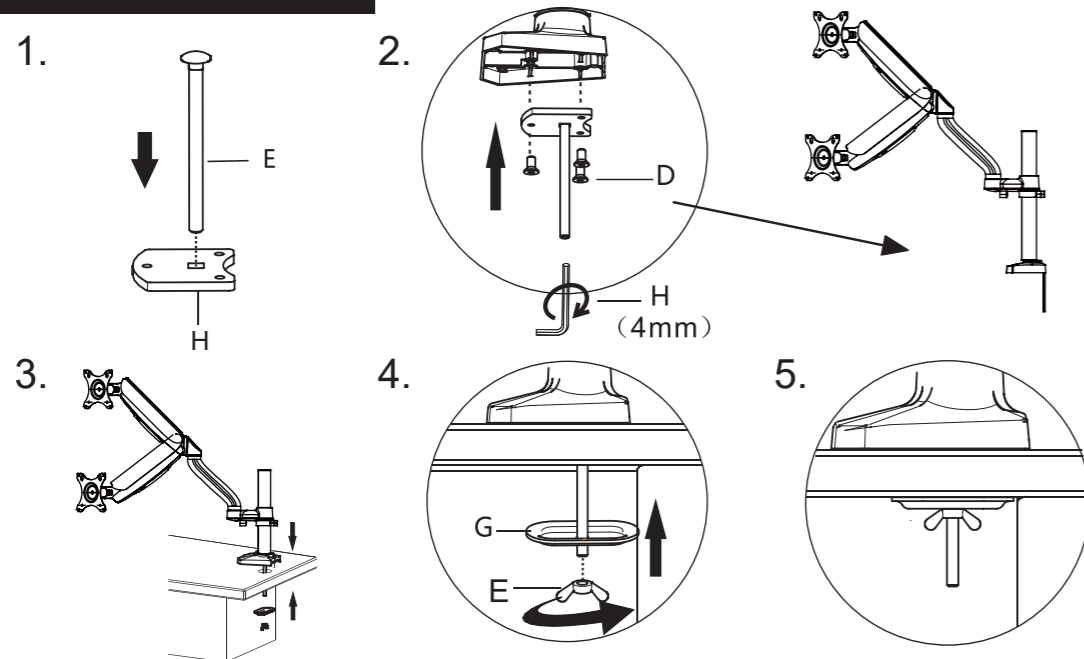
Supplied Parts List



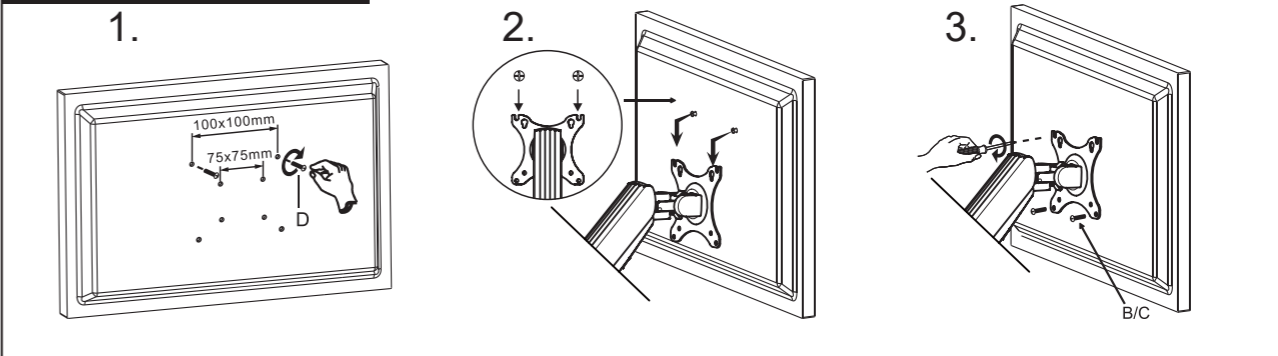
A1. Table Edge Installation



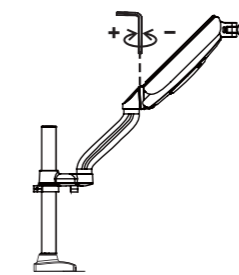
A2. Grommet Installation



B. Screen Mounting

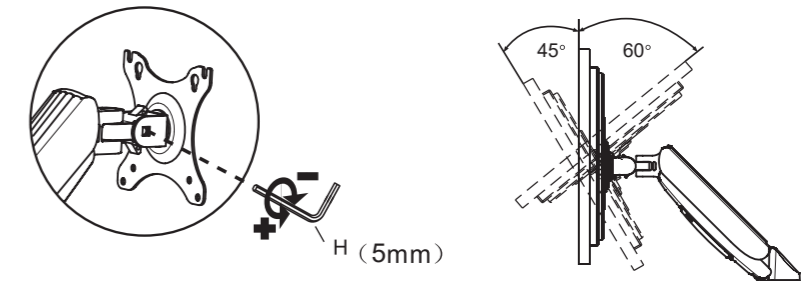


C. Tension Adjustment



"-" Counterclockwise: Reduce tension for the lighter monitor
 "+" Clockwise: Increase tension for the heavier monitor

D. Tilt Adjustment



Limits of Warranty:

Warranty coverage does not include the following:

- A faulty product that leads to harm or damage to other products
- Damage of product as a result of other product components
- Incorrect method of operation or use of product not for intended use
- Any form of alteration to original product
- Inability to install the product as a result of incompatibility with other components.

Please consult our website for further information:

www.gelidsolutions.com

The Specifications are subject to change without notice.

Disclaimer:

In no event shall GELID Solutions its directors or employees be liable for any indirect damages, incidental or consequential damages arising from any defect or error in this manual or product.

© Copyright 2019 all rights reserved by GELID Solutions Limited
 All Brand names & Trademarks are the properties of their respective owners.