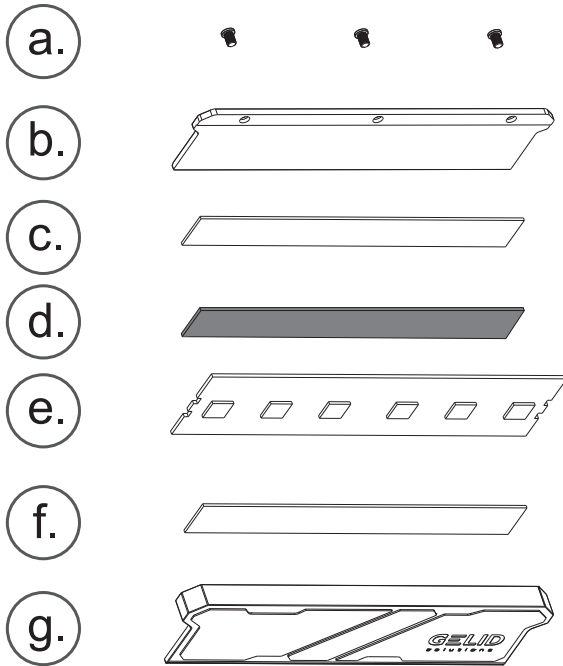


QUICK START GUIDE

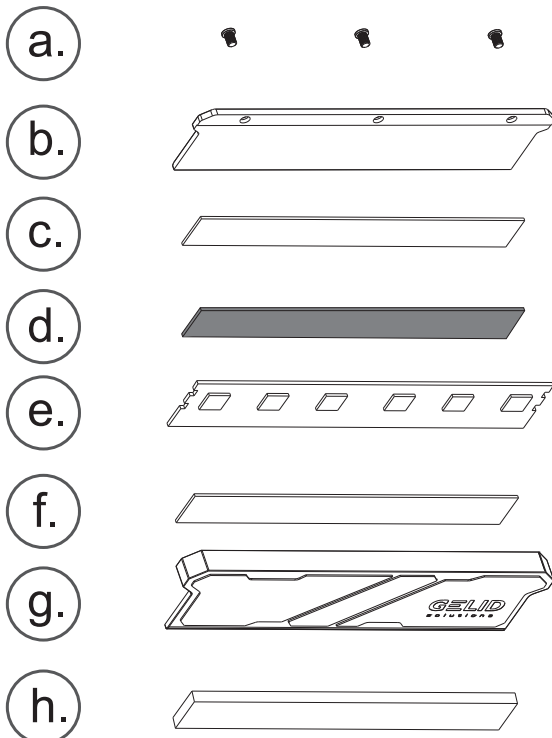
A Installation Parts



B Installation Instructions

1. Peel off the protective film and apply the (f) Thermal Pad onto the front side of your (e) DDR.
- 2a. (Double-sided DDR) Peel off the protective film and apply the (c) Thermal Pad onto the rear side of your (e) DDR.
- 2b. (Single-sided DDR) Peel off the protective film and apply the (d) EVA onto the rear side of your (e) DDR.
3. Attach your DDR assembly to the (g) front piece of the IceROCK.
4. Align the (b) rear piece of the IceROCK into the assembly.
5. Fasten the 3 (a) screws to assemble the cooler.

C Installation Parts (low profile DDR)



D Installation Instructions (low profile DDR)

1. Peel off the protective film and apply the (f) Thermal Pad onto the front side of your (e) DDR.
- 2a. (Double-sided DDR) Peel off the protective film and apply the (c) Thermal Pad onto the rear side of your (e) DDR.
- 2b. (Single-sided DDR) Peel off the protective film and apply the (d) EVA onto the rear side of your (e) DDR.
3. Peel off the protective film and apply the (h) PC pcs to the inner top part of the (g) front piece of the IceROCK.
4. Attach your DDR assembly to the (g) front piece of the IceROCK.
5. Align the (b) rear piece of the IceROCK into the assembly.
6. Fasten the 3 (a) screws to assemble the cooler.

Limits of Warranty:

- Warranty coverage does not include the following:
- A faulty product that leads to harm or damage to other products
 - Damage of product as a result of other product components
 - Incorrect method of operation or use of product not for intended use
 - Any form of alteration to original product
 - Inability to install the product as a result of incompatibility with other components.

The Specifications are subject to change without notice.

Please consult our website for further information:

www.gelidsolutions.com

Disclaimer:

In no event shall GELID Solutions its directors or employees be liable for any indirect damages, incidental or consequential damages arising from any defect or error in this manual or product.