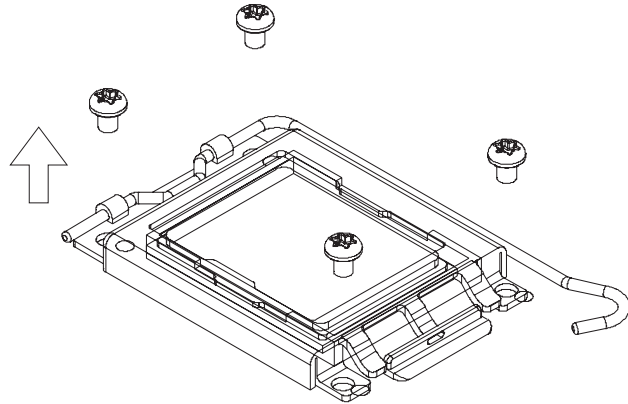


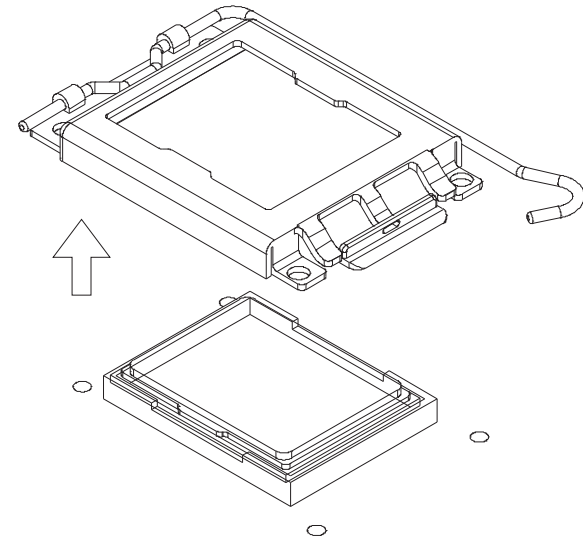
## QUICK START GUIDE

### A Installation Instructions



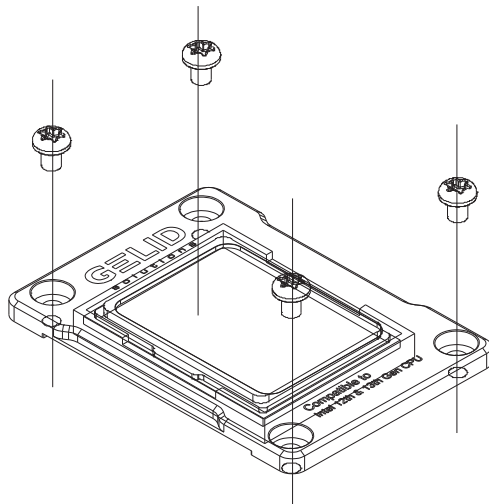
1. Unscrew the original LGA1700 CPU mounting.

### B



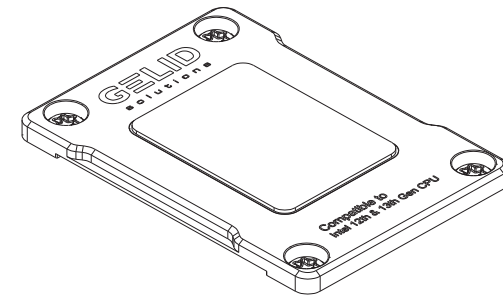
2. Remove the original LGA1700 CPU mounting.

### C



3. Apply the CPU Protector Frame on top of CPU and tighten the screws.

### D



#### Limits of Warranty:

Warranty coverage does not include the following:

- A faulty product that leads to harm or damage to other products
- Damage of product as a result of other product components
- Incorrect method of operation or use of the product not for the intended use
- Any form of alteration to the original product
- Inability to install the product as a result of incompatibility with other components.

The Specifications are subject to change without notice.

Please consult our website for further information:

[www.gelidsolutions.com](http://www.gelidsolutions.com)

#### Disclaimer:

In no event shall GELID Solutions its directors or employees be liable for any indirect damages, incidental or consequential damages arising from any defect or error in this manual or product.