

Thermal Solutions - Case Fan - Silent Case Fan

Silent 8 Black / Silent 8 PWM Black / Silent 9 Black /
Silent 9 PWM Black / Silent 12 Black / Silent 12 PWM Black / Silent 14 Black
/ Silent 14 PWM Black

Product SKU: FN-PX08-16 / FN-PX08-21 / FN-PX09-16 /
FN-PX09-12 / FN-PX12-11 / FN-PX12-16 / FN-PX14-11
/ FN-PX14-16

Key Product Features

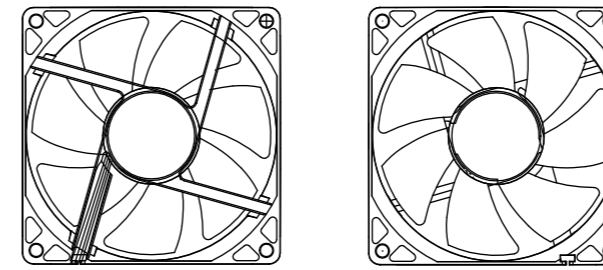
- High Airflow & High Static Pressure
- Long Lifetime (50'000 h MTTF at 40°C)
- Noiseless Motor Drive
- Optimized Fan Blades
- Pulse Width Modulation (PWM)
- Rubber Fan Mounts
- Silent Operation

Product Specifications

- Air Flow (CFM): max. 21 / max. 27 / max. 31.32 / max. 37.9
/ max. 40.3 / max. 64.5 / max. 67.4 / max. 78.5
- Bearing: Hydro Dynamic
- Dimension of Fan (mm): 80 x 80 x 25 / 92 x 92 x 25 /
120 x 120 x 25 / 140 x 140 x 25
- Fan Current (A): max. 0.08 / max. 0.18 / max. 0.10 / max. 0.18
/ max. 0.1 / max. 0.16 / max 0.09 / max. 0.16
- Fan Connector: 3 Pin / 4 Pin PWM
- Fan Speed (RPM): 1600 / 900 – 2000 / 1500 / 900 – 2000 /1000
/ 750 - 1600 / 750 – 1500
- Warranty (years): 3



SILENT 9 Black & SILENT 9 PWM Black



BACK

FRONT

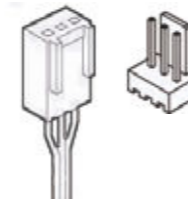
A Installation Parts

4 x Screw

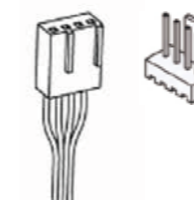


B Plugs / Sockets

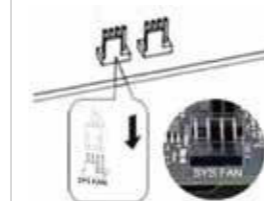
3-pin plug
SILENT 9 Black



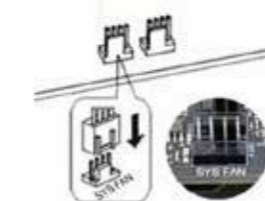
4-pin PWM plug
SILENT 9 PWM Black



For Motherboard
SILENT 9 Black

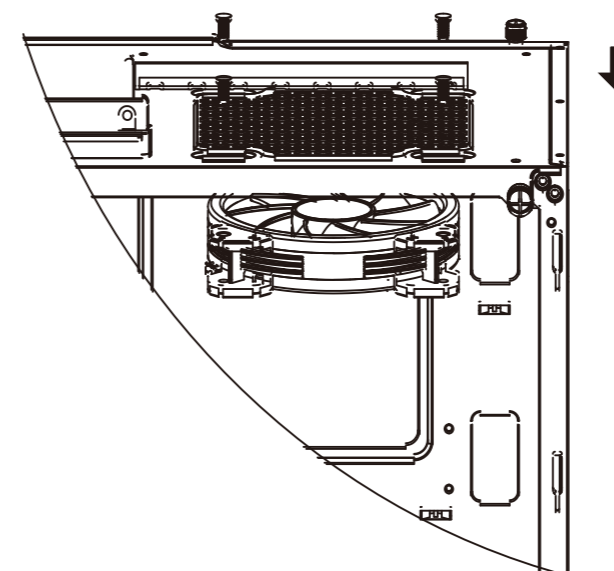


For Motherboard
SILENT 9 PWM Black

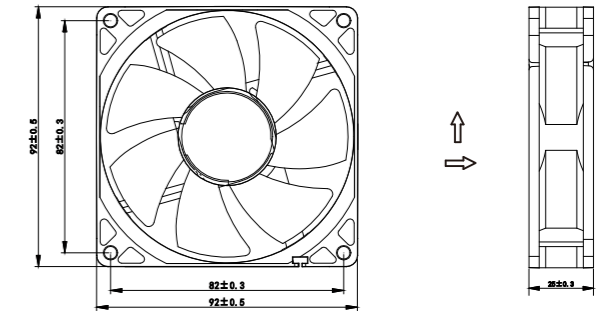


C Installation Instructions

It is installed in the chassis

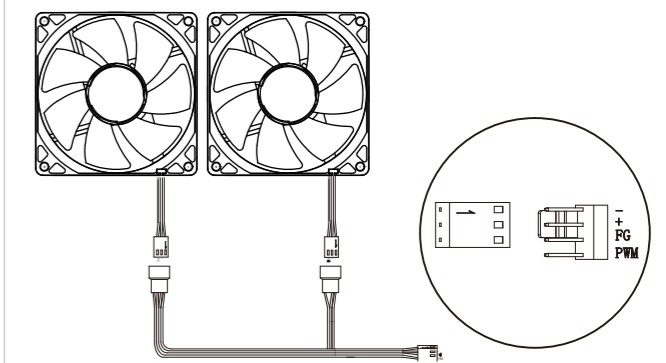


D Product appearance

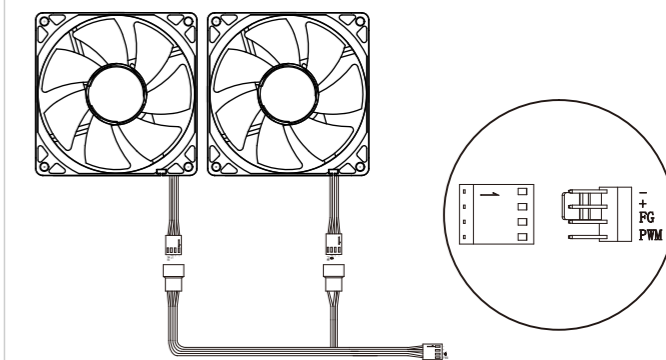


E Connect

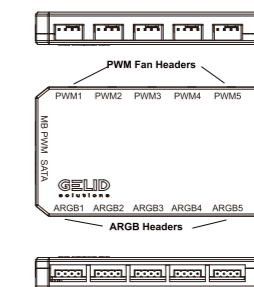
TO Plug Fan
SILENT 9 Black



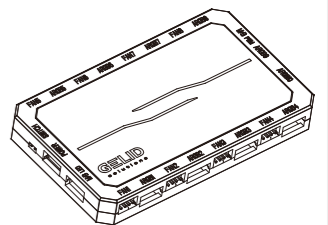
TO Plug Fan
SILENT 9 PWM Black



If Connecting Multiple Fans (Recommend using our GELID controller Box)



Product SKU:RF-RGB-01



Product SKU:RF-RGB-02

Limits of Warranty:

- Warranty coverage does not include the following:
- A faulty product that leads to harm or damage to other products
- Damage of product as a result of other product components
- Incorrect method of operation or use of the product not for the intended use
- Any form of alteration to the original product
- Inability to install the product as a result of incompatibility with other components.

The Specifications are subject to change without notice.
Please consult our website for further information:
www.gelidsolutions.com

Disclaimer:

In no event shall GELID Solutions its directors or employees be liable for any indirect damages, incidental or consequential damages arising from any defect or error in this manual or product.

© Copyright 2021 All rights reserved by GELID Solutions Limited
All Brand names and Trademarks are the properties of their respective owners.